

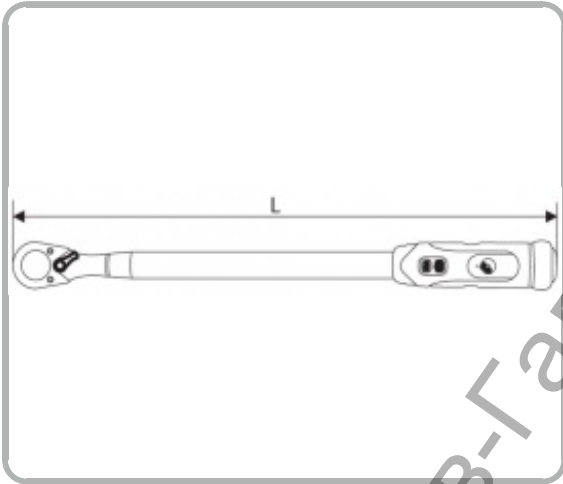
TORQUE WRENCHES | E100107

Description

- ISO 6789
- Precise: +/- 4%
- Comfortable grip.
- Direct torque value reading.
- Fast and easy setting.
- Proven strength.
- Supplied with calibration certificate.

Information

EAN	3258951001073
B [mm]	32
L [mm]	400
N.m	20 - 100
No.	1/2
Conditioning	1
[g]	988



Ташев-Галвинг ООД
www.tashev-galving.com